

# SCF Countertops - Supply Only

Date \_\_\_\_\_

Name \_\_\_\_\_

Phone # \_\_\_\_\_

E - Mail \_\_\_\_\_

Cost \$ \_\_\_\_\_

HST \$ \_\_\_\_\_

Total \$ \_\_\_\_\_

Deposit \$ \_\_\_\_\_

Balance \$ \_\_\_\_\_

Signature \_\_\_\_\_

## 1. Material

Colour \_\_\_\_\_

Size \_\_\_\_\_

Location \_\_\_\_\_

2. Profile \_\_\_\_\_

## 3. Sink Options

Make \_\_\_\_\_

Model \_\_\_\_\_

## 4. Faucet Holes

None  Single

4 inch  8 inch

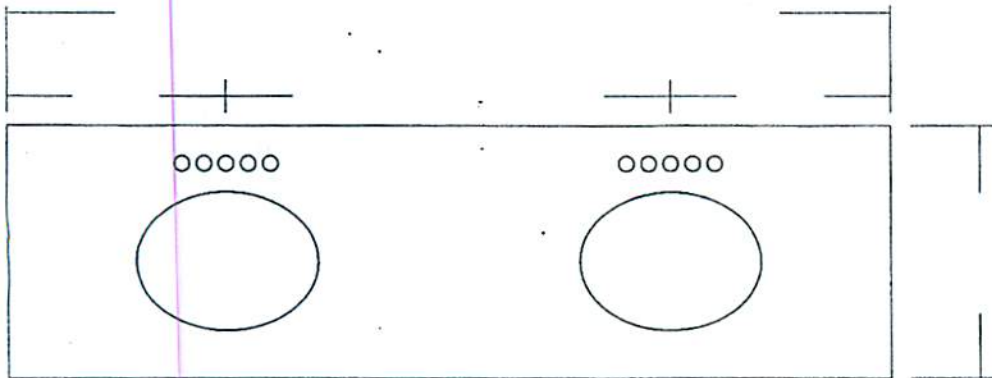
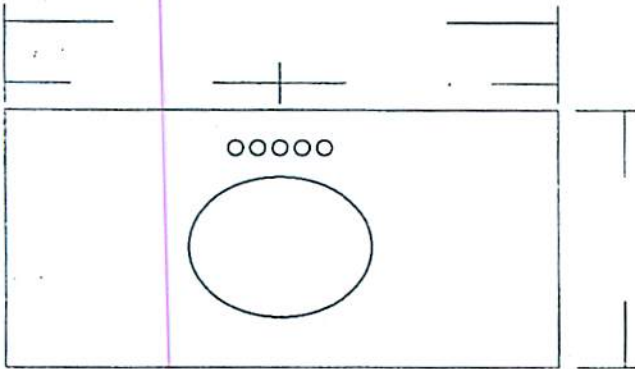
## 5. Backsplash

Yes  No

### Sidesplash

Yes  No

Height \_\_\_\_\_



\* SCF will not be responsible for the dimensions provided

\* Backsplash not ordered with the top will have a minimum charge of \$100.00 if material is available (CANNOT GUARANTEE COLOUR MATCH)

\* SCF Reserves the right to substitute the colour (as close as possible) if piece chosen is damaged beyond use